



STANDARD RAIL

Dual Rack rails were designed to be customized for solar PV arrays on residential and commercial projects. They are engineered for strength and durability and tested for spans of up to eight feet. Installers prefer Dual Rack rails because they are strong, reliable, time saving, and available at the best price in the marketplace.

ADVANTAGES

Advanced Dual Rack design - PE Certified in 16 states - No special training required - Save time and money on installations - Less parts, two ways to install - 3 sizes available: 12', 14' & 17' in silver & black - 10 year limited warranty - Conforms to UL STD 2703 and Class A Fire Rated.

Ordering Specifics

Standard Packaging	6 pcs
Dimension	144"/ 168"/ 204"
Weight	0.68 lbs/ft

Rail Span (ft¹)

EXP	Wind Speed (Mph)	Zone 1					
		Snow Load (psf)					
		0.0	10.0	20.0	30.0	40.0	50.0
B	110	8.0	7.0	6.0	5.0	4.5	4.0
	120	8.0	7.0	6.0	5.0	4.5	4.0
	130	8.0	7.0	6.0	5.0	4.5	4.0
	140	8.0	7.0	6.0	5.0	4.5	4.0
	150	7.5	7.0	6.0	5.0	4.5	4.0
	160	7.0	7.0	6.0	5.0	4.5	4.0
	170	7.0	7.0	6.0	5.0	4.5	4.0
C	180	6.5	6.5	5.5	5.0	4.5	4.0
	110	8.0	7.0	6.0	5.0	4.5	4.0
	120	8.0	7.0	6.0	5.0	4.5	4.0
	130	7.5	7.0	6.0	5.0	4.5	4.0
	140	7.0	7.0	6.0	5.0	4.5	4.0
	150	6.5	6.5	5.5	5.0	4.5	4.0
	160	6.0	6.0	5.5	5.0	4.5	4.0
170	5.5	5.5	5.5	5.0	4.5	4.0	
180	5.5	5.5	5.5	5.0	4.5	4.0	

A. The table above ONLY includes Dual Rack rail capacity data. It does not include roof attachment data or roof load capacity.

B. Wind risk category II per ASCE7-10. C. Topographic factor, kzt is 1.0. D. Maximum mean roof height is 30 ft.

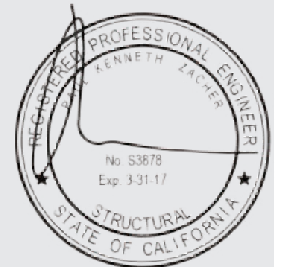
E. Average parapet height is 0 ft. F. Roof pitch is between 7 degrees and 27 degrees.

G. Maximum solar panel weight is 50 lbs. H. Height of solar panel is between 2" and 10" from roof.

*See Zone 2 & 3 span table calculation in Installation Manual/P.E. certification.

Product Line

Item #	Product Name
ST-144-C	Standard Rail 144" - Clear
ST-168-C	Standard Rail 168" - Clear
ST-204-C	Standard Rail 204" - Clear
ST-144-B	Standard Rail 144" - Black
ST-168-B	Standard Rail 168" - Black
ST-204-B	Standard Rail 204" - Black

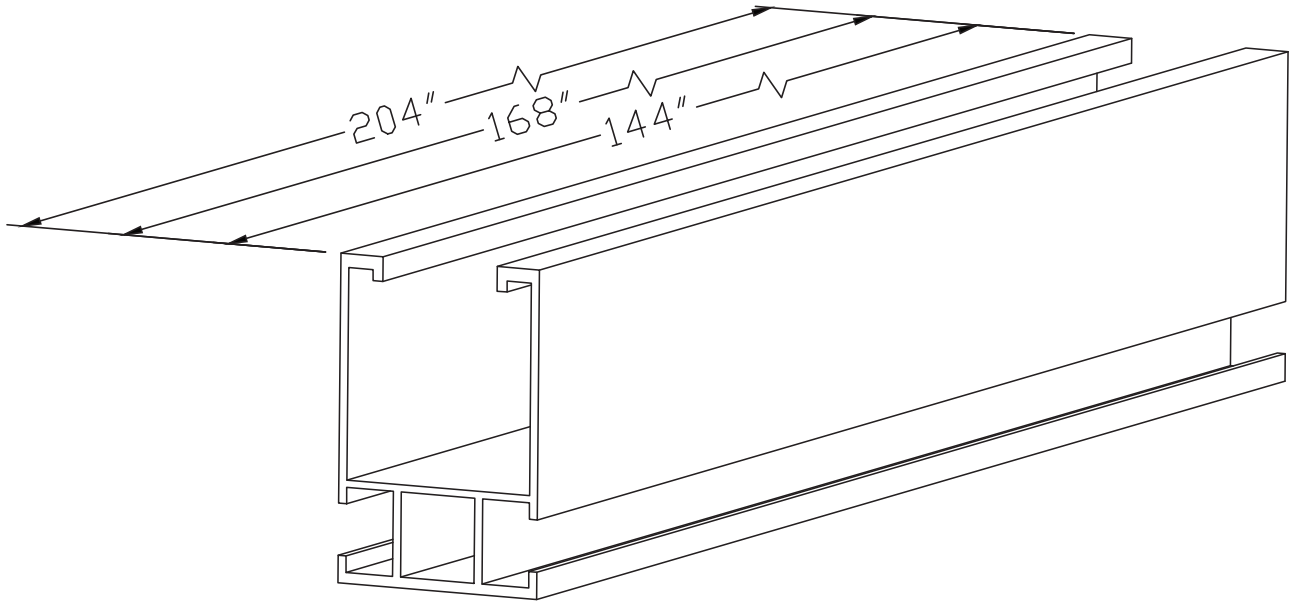


ETL CLASSIFIED



Intertek
 5000799
 Conforms to UL SUB 2703

Standard Rail



Installation Guide

Dual Rack is a robust, long-life photovoltaic (PV) module mounting system for both flat and pitched roofs. It consists of aluminum rails, roof attachments and all the necessary components to ensure a safe and sturdy installation. Dual Rack allows modules to be mounted in both landscape and portrait orientations.

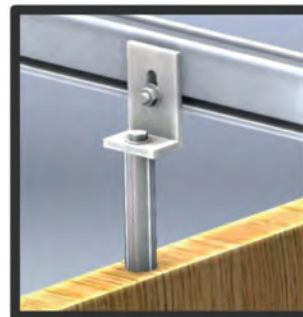
- Dual Rack technology can be installed in two different ways: Top down attachment style and L-Foot style.

TOP DOWN



- Measure and mark the location of each standoff to roof connection.
- Drill 3/8" hole through Dual Rack standard rail for each standoff location.
- Attach standoff to roof with 5/16" lag screw. Attach Dual Rack standard rail to standoff with 3/8" bolt and washer.

L-FOOT STYLE



- After securely installing standoff to rafter, attach L-foot with 3/8" bolt and nut to Dual Rack standard rail at desired height
- Dual Rack L-foot enables height adjustment up to 1.1 inches.

Contact Info



Dual Rack Inc.
2290 Agate ct. Unit A-B, Simi Valley, CA, 93065
www.DualRack.net
Email: info@DualRack.net
Phone: +1 (805) 254 - 2250