



S-TILE ROOF HOOK

The Dual Rack S-Tile Roof Hook offers solar mounting flexibility for Spanish style roofs. Made from stainless steel, it provides a streamlined option on all of your residential solar installations with Spanish tile while maintaining weatherproofing protection of the tile configuration. S-Tile Roof Hooks are popular with installers because they offer the fastest and least expensive way to mount rooftop PV arrays on tile roofs.

ADVANTAGES

- Aesthetically pleasing installs, with fewer broken tiles.
- Cost-effective and faster installations.
- No need to drill holes in tile and no visible flashing.
- Makes it easy to hit rafters and line up the valley of the tile.
- Works with most racking systems.
- 100% IBC compliant.
- Made from stainless steel.
- Conforms to UL STD 2703 and Class A Fire Rated.

Component List

Material	QTY
S-Tile Roof Hook	01
3/8" x 1" Hex Bolt	01
3/8" Flange Nut	01
3/16" x 3.5" Lag Bolt	03
3/8" Star Washer	01
EPDM Washer	03

Ordering Specifics

	Package	Small Box	Big Box
Standard Package	10pcs	40pcs	160pcs
Dimensions	6" x 6.732" x 2.2"		
Weight	1 lbs 1.3 oz		

Rail Span (ft¹)

EXP	Wind Speed (Mph)	Zone 1 Snow Load (psf)					
		0.0	10.0	20.0	30.0	40.0	50.0
		B	110	8.0	7.0	6.0	5.0
120	8.0		7.0	6.0	5.0	4.5	4.0
130	8.0		7.0	6.0	5.0	4.5	4.0
140	8.0		7.0	6.0	5.0	4.5	4.0
150	7.5		7.0	6.0	5.0	4.5	4.0
160	7.0		7.0	6.0	5.0	4.5	4.0
170	7.0		7.0	6.0	5.0	4.5	4.0
C	180	6.5	6.5	5.5	5.0	4.5	4.0
	110	8.0	7.0	6.0	5.0	4.5	4.0
	120	8.0	7.0	6.0	5.0	4.5	4.0
	130	7.5	7.0	6.0	5.0	4.5	4.0
	140	7.0	7.0	6.0	5.0	4.5	4.0
	150	6.5	6.5	5.5	5.0	4.5	4.0
	160	6.0	6.0	5.5	5.0	4.5	4.0
170	5.5	5.5	5.5	5.0	4.5	4.0	
180	5.5	5.5	5.5	5.0	4.5	4.0	

1. Rail spans assume 24" rafter spacing and reflect the farthest acceptable rafter distance; Parameters: Gable roof 15' high, slope ≤ 25°, 850' AMSL, Occupancy Category II (importance factor = 1.0), Terrain category B & C, partially exposed, center zone installation. *NS = Not suitable*.

2. Tile roof hook to be secured with two supplied 5/16" or three 3/16" x 3.5" lag screws.

*See Zone 2 & 3 span table calculation in Installation Manual/P.E. certification.

Product Line

Item #	Product Name
DR-STRH-01	S-Tile Roof Hook



DR-STRH-01_S-Tile Roof Hook

ETL CLASSIFIED

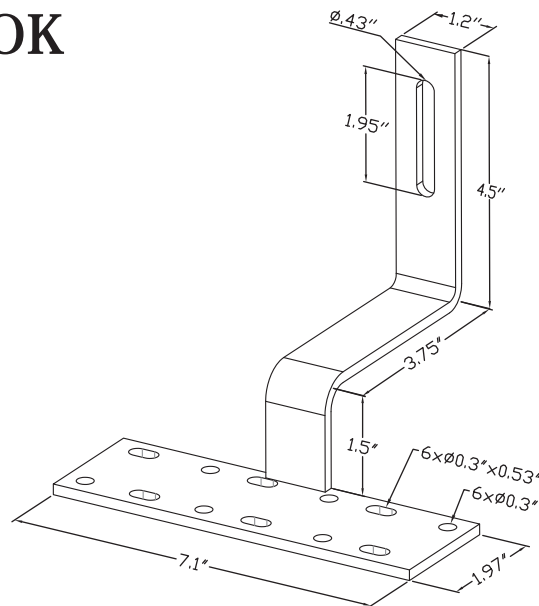


Intertek

5000799

Conforms to UL SUB 2703

S-TILE ROOF HOOK



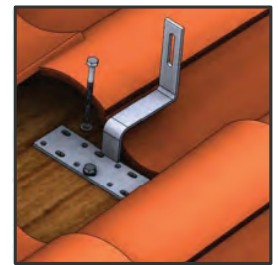
Installation Guide

For detailed instructions please refer to the Dual Rack installation guide

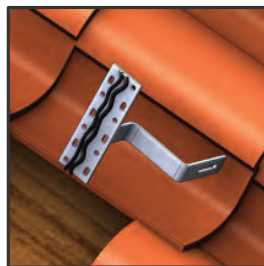
1. Remove the roof tiles at the marked position or, if possible, simply push them up. When using 5/16\"



2. Insert the three (3/16\"



3. Position the tile hook to the side of the underlying interlocking tile's valley.



4. Attach the tile hook to the rafter using three (3/16\"



5. Slide the 3/8\"



6. Attach the rail to the tile using 3/8\"



Contact Info



Dual Rack Inc.
2290 Agate ct. Unit A-B, Simi Valley, CA, 93065
www.DualRack.net
Email: info@DualRack.net
Phone: +1 (805) 254 - 2250