



## LITE FLASH L-Kit

Dual Rack Lite Flash L-Kit is designed in both 12.0" x 12.0" and 9.0" x 12.0" sizes and comes complete with all necessary components for a quick and weatherproof installation. Standard packs include a kitted set of 10 in clear or black finish options. Our best-in-class design delivers an efficient and cost-effective solar attachment solution for composition/asphalt shingle roofs. It is compatible with all Dual Rack rails and there's no need to cut shingles on your install.

## ADVANTAGES

- Creates a weatherproofing seal every time.
- Install easily, quickly, and with confidence.
- All Aluminum 9.0" x 12.0" or 12.0" x 12.0" flashing.
- 10 Year Limited Warranty.
- Stainless steel hardware included.
- Meets or exceeds roofing industry best practices
- 100% IBC Compliant.
- No shingle cutting necessary.

### Product Line

Item #	Product Name
DR-CLFLK-01	Lite Flash L Kit – 12.0" x 9.0" - clear
DR-CLFLK-02	Lite Flash L Kit – 12.0" x 12.0" - clear
DR-BLFLK-01	Lite Flash L Kit – 12.0" x 9.0" - black
DR-BLFLK-02	Lite Flash L Kit – 12.0" x 12.0" - black

### Component List

Material	QTY
Aluminum Flashing	01
L Base	01
5/16" x 4" S.S Lag Bolt	01
3/8" Sealing Washer	01
3/8" x 1.5" S.S T Bolt	01
3/8" Flange Nut	01
EPDM Washer	01

### Ordering Specifics

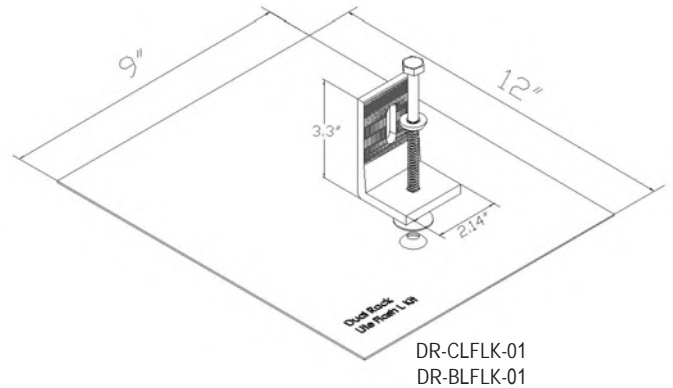
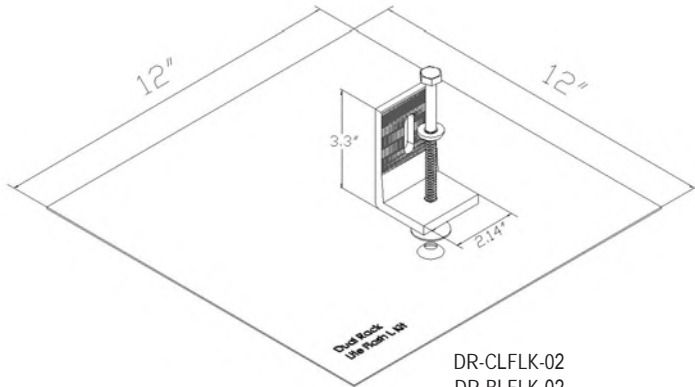
Product	DR-CLFLK-01 / DR-BLFLK-01	DR-CLFLK-02 / DR-BLFLK-02
Net Weight	0.85 lbs/ set	1.02 lbs/ set
Standard Pack	10 set/ box	10 set/ box
Standard Pack Dimension	14.0" (L) x 13.0" (W) x 3.5" (H)	14.0" (L) x 13.0" (W) x 3.5" (H)
Standard Pack Weight	8.5 lbs/ box	10.2 lbs/ box
Big Pack	4 Packs of 10 = Set of 40/Box	4 Packs of 10 = Set of 40/Box
Big Pack Weight	34.0 lbs/ box	40.8 lbs/ box

### Product Line

Item #	Product Name
DR-CLFLK-01	Lite Flash L Kit - 12.0" x 9.0" - Clear
DR-CLFLK-02	Lite Flash L Kit - 12.0" x 12.0" - Clear
DR-BLFLK-01	Lite Flash L Kit - 12.0" x 9.0" - Black
DR-BLFLK-02	Lite Flash L Kit - 12.0" x 12.0" - Black



# LITE FLASH L-KIT



## Installation Guide

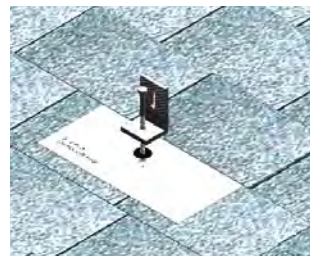
For detailed instructions please refer to the Dual Rack installation guide



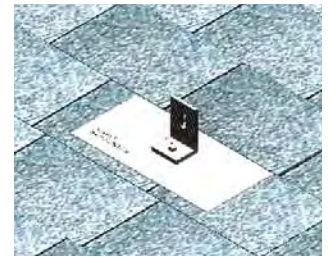
1. Locate, choose and mark center of the rafter for racking installation. Select the courses of shingles where mounts will be placed.



2. Gently break seal between shingles and remove any nails. Slide mount up under shingles, with flashing lined up with rafter center for drilling.



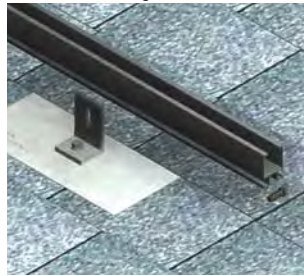
3. Put 5/16" x 4" lag bolt through L-foot. Next, slide the EPDM washer up onto the lag bolt.



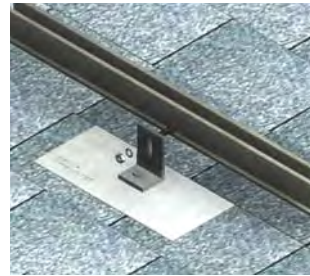
4. Secure L-foot onto Flash L Base and rooftop. (Tightening torque of 14 lbs-ft).



5. Screw the 5/16" lag bolt into the rafter embedded a min. of 2.5".  
\*(Tightening torque is dependent on the roofing material.)



6. You are now ready to attach the rail. Slide the 3/8" T bolt through the rail groove.



7. Attach the rail to the L-base using 3/8" T bolt and nut.



8. Secure the 3/8" T bolt with the nut. (Tightening torque 14 lbs-ft).

## Contact Info



**Dual Rack Inc.**  
2290 Agate ct. Unit A-B, Simi Valley, CA, 93065  
www.DualRack.net  
Email: info@DualRack.net  
Phone: +1 (805) 254 - 2250