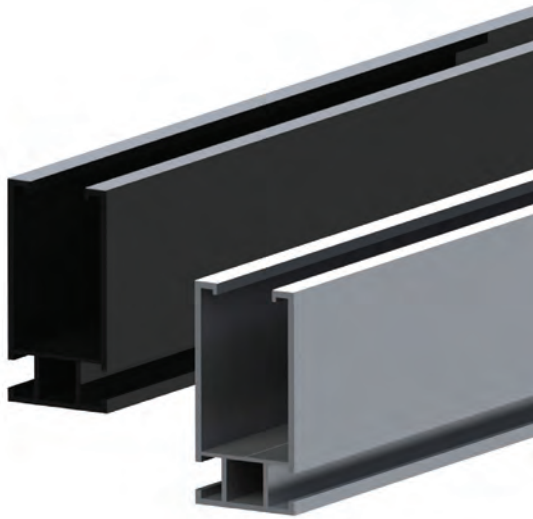


### Ordering Specifics

Standard Package	6 pcs/bundle
Dimension	144"/ 168"/ 204"
Weight	1.03 lbs/ft



### Rail Span (ft<sup>1</sup>)

EXP	Wind Speed (Mph)	Zone 1					
		Snow Load (psf)					
		0.0	10.0	20.0	30.0	40.0	50.0
B	110	13.5	12.5	11.0	10.0	9.0	8.0
	120	13.5	12.5	11.0	10.0	9.0	8.0
	130	13.5	12.5	11.0	10.0	9.0	8.0
	140	13.0	12.5	11.0	10.0	9.0	8.0
	150	12.0	12.0	10.5	9.5	9.0	8.0
	160	11.5	11.5	10.5	9.5	9.0	8.0
	170	10.5	10.5	10.5	9.5	8.5	8.0
C	180	10.0	10.0	10.0	9.0	8.5	8.0
	110	13.5	12.5	11.0	10.0	9.0	8.0
	120	12.5	12.5	11.0	10.0	9.0	8.0
	130	12.0	12.0	10.5	9.5	9.0	8.0
	140	11.0	11.0	10.5	9.5	8.5	8.0
	150	10.5	10.5	10.0	9.5	8.5	8.0
	160	9.5	9.5	9.5	9.0	8.5	8.0
	170	9.0	9.0	9.0	9.0	8.5	8.0
	180	8.5	8.5	8.5	8.5	8.0	7.5

A. The table above ONLY includes Dual Rack rail capacity data. It does not include roof attachment data or roof load capacity.  
 B. Wind risk category II per ASCE7-10. C. Topographic factor, kzt is 1.0. D. Maximum mean roof height is 30 ft.  
 E. Average parapet height is 0 ft. F. Roof pitch is between 7 degrees and 27 degrees.  
 G. Maximum solar panel weight is 50 lbs. H. Height of solar panel is between 2" and 10" from roof.  
 \*See Zone 2 & 3 span table calculation in Installation Manual/P.E. certification.

## HEAVY DUTY RAIL

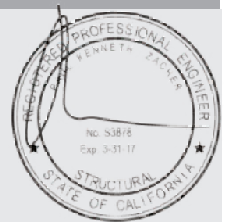
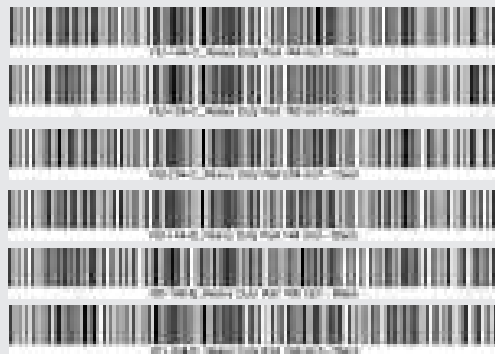
Dual Rack Heavy Duty Rails are custom designed for solar PV arrays on residential, commercial and utility projects. Anodized DR Heavy Duty Rails are engineered for strength and durability and tested for spans of up to twelve feet. Pre-stamped engineering letters for PV- friendly states are also available for permit purposes. Installers prefer Dual Rack rails because they are strong, reliable, time-saving, and available at the best price in the marketplace.

## ADVANTAGES

Advanced Dual Rack design - Less parts & Two installation methods - PE Certified in multiple states - Save time and money on installations - No special training required - 2 sizes available: 14' & 17' - Available in silver & black - 10 year limited warranty - Conforms to UL STD 2703 and Class A Fire Rated.

### Product Line

Item #	Product Name
HD-144-C	Heavy Duty Rail 144" - Clear
HD-168-C	Heavy Duty Rail 168" - Clear
HD-204-C	Heavy Duty Rail 204" - Clear
HD-144-B	Heavy Duty Rail 144" - Black
HD-168-B	Heavy Duty Rail 168" - Black
HD-204-B	Heavy Duty Rail 204" - Black

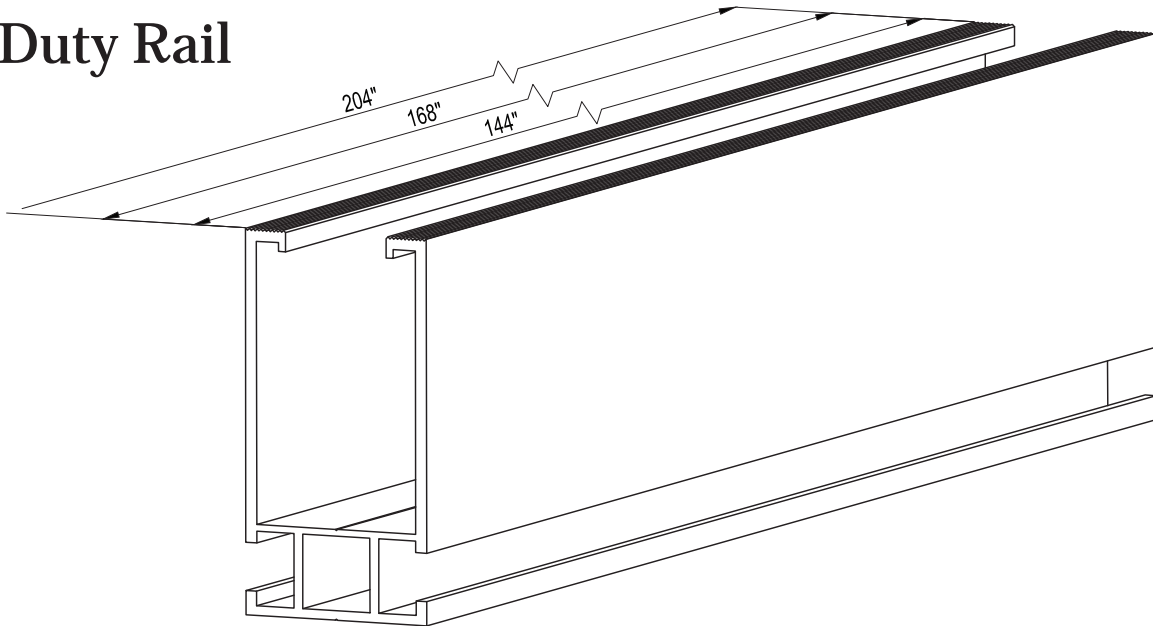


ETL CLASSIFIED



Intertek  
5000799  
Conforms to UL SUB 2703

## Heavy Duty Rail



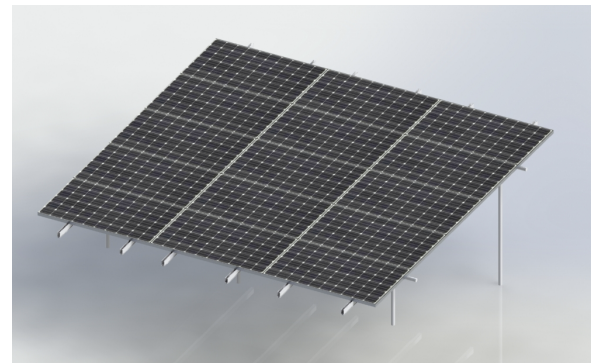
### Note

Dual Rack provides robust, long-life photovoltaic (PV) module mounting system solutions for both roof mount and ground mount PV projects. The DR Heavy Duty rail is one of the strongest mounting rails in the market and the most competitively priced. Pre-stamped structural certification is available in most states. Installation is simple and fast, which ensures lower installation cost. Dual Rack allows modules to be mounted in both landscape and portrait orientations.

ROOF MOUNT



GROUND MOUNT



### Contact Info



**Dual Rack Inc.**  
2290 Agate ct. Unit A-B, Simi Valley, CA, 93065  
[www.DualRack.net](http://www.DualRack.net)  
Email: [info@DualRack.net](mailto:info@DualRack.net)  
Phone: +1 (805) 254 - 2250