


24" EXTENSION
Component List

Material	QTY	Material	QTY
<u>24" Extension Kit</u>		<u>Adjustable</u>	
24" Extension Leg	01	18" Outer Extension Leg	01
U-Bracket	02	18" Inner Extension Leg	01
SS M8-80mm Allen Bolt	02	Outer Leg U-Bracket	01
SS M8 Flange Nut	02	Inner Leg U-Bracket	01
SS Lock Washer	02	Double Hole Fix Clamp	01
SS Spring Washer	02	SS M8-25mm Allen Bolt	02
SS 3/8" - 1" Hex Bolt	01	SS Lock Washer	02
SS 3/8" Flange Nut	01	SS M8 Flat Washer	01
SS 3/8" Flat Washer	01	SS M8-80mm Allen Bolt	02
SS 3/8" Star Washer	01	SS M8 Flange Nut	02
SS 5/16" Star Washer	02	SS 3/8" - 1" Hex Bolt	01
		SS 3/8" Flange Nut	01
		SS 3/8" Flat Washer	01
		SS 3/8" Star Washer	01
		SS 5/16" Star Washer	07


18" - 36" ADJUSTABLE
Ordering Specifics

Product	24" Extension Leg Kit	Adjustable Extension Leg Kit
Net Weight	1.65 lbs/Set	2.09 lbs/Set
Standard Pack	10 Kits/Box	10 Kits/Box
Standard Pack Weight	16. lbs/Box	20.9 lbs/Box
Standard Pack Dimension	26.0"(L) x 13.0"(W) x 4.0"(H)	26.0"(L) x 13.0"(W) x 4.0"(H)

EXTENSION LEG KIT

The Dual Rack extension leg kit comes in two sizes: A fixed 24" extension leg kit and the 18"-36" adjustable extension leg kit. Extension leg kits are compatible with the Dual Rack line as well as the majority of popular mounting systems and roof attachments. Available in both silver and black, DR Extension Leg Kits include all necessary stainless steel hardware and carry our 10-year limited product warranty.

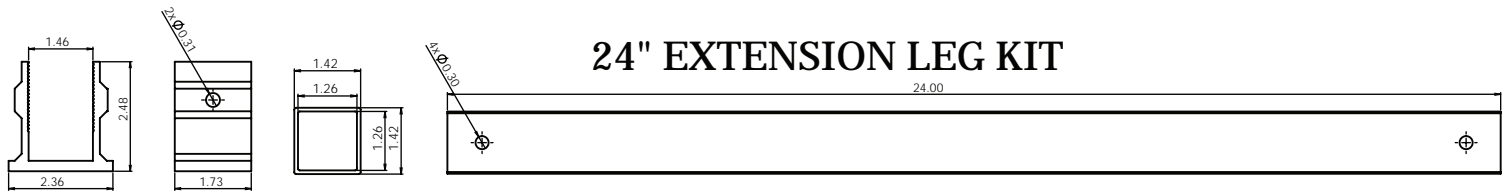
Product Line - Mid Clamp

Item #	Product Name
DR-CEL-24	24" Extension Leg Kit - Clear
DR-BEL-24	24" Extension leg Kit - Black
DR-CEL-AD-18-36	Adjustable Extension Leg Kit - Clear
DR-BEL-AD-18-36	Adjustable Extension Leg Kit - Black

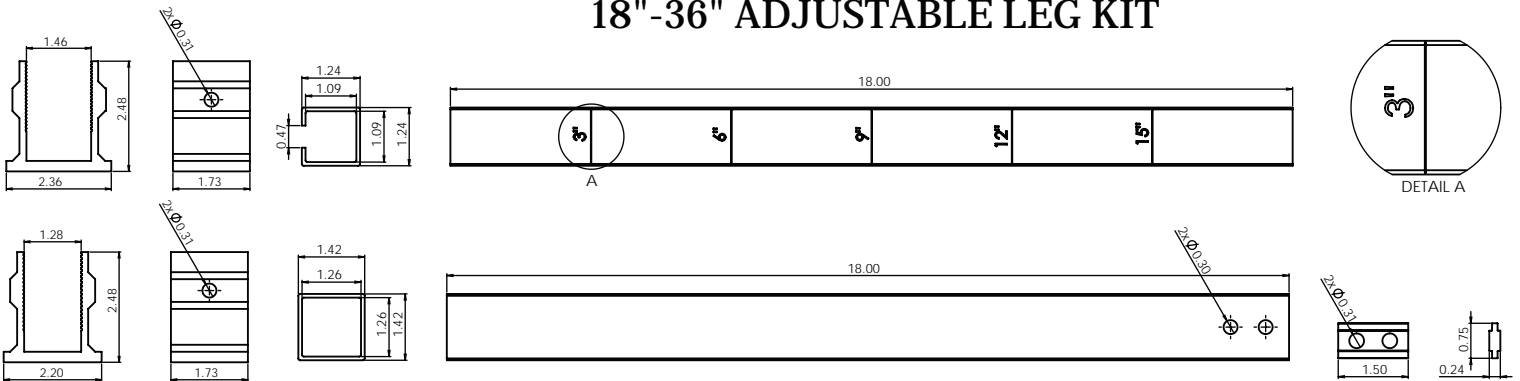


EXTENSION LEG KIT

24" EXTENSION LEG KIT



18"-36" ADJUSTABLE LEG KIT



Installation Guide

For detailed instructions please refer to the Dual Rack installation guide



1. Attach leg base U bracket to Dual Jack Standoff with 3/8" hex bolt, washers, and flange nut. Attach extension leg to leg base U bracket with 5/16" allen bolt through pre-drilled holes and with washers, and tighten flange nut.



2. Attach leg base bracket directly to Flash L-kit with 5/16" allen bolt, washers and flange nut.



3. For adjustable bar choose the needed length and use the double hole fix clamp to adjust the length of the bar.



4. Attach leg base U bracket directly to rail using 3/8" hex bolt to connect to rail or attach using L-foot/ leg base U bracket combination.

Contact Info



Dual Rack Inc.
2290 Agate ct. Unit A-B, Simi Valley, CA, 93065
www.DualRack.net
Email: info@DualRack.net
Phone: +1 (805) 254 - 2250