



END CLAMP & CHANNEL STRUT

The Dual Rack End Clamp is made with precision design and accuracy, using telescoping end pieces, which eliminates the need for custom cuts. With the Dual Rack high quality Channel Strut there's no need for welding and punching. You can use them repeatedly, with a wide range of flexible installation options. Our Channel Strut can also be used to secure micro inverters. Made from stainless steel, its strength and durability have been field-tested in installations across the country.

ADVANTAGES

Compatible with Dual Rack PV mounting system - Mechanically clamps solar panel in place - 10-year warranty - 25-year expected - Lock-Tight bolts for secure attachments - Conforms to UL STD 2703 and Class A Fire Rated.

Component List

Material	QTY
End Clamp Set	
End Clamp	01
Channel Strut	01
M8 Allen Bolt-25mm	01
Channel Strut Set	
Channel Strut	01
M8 Allen Bolt-25mm	01



Ordering Specifics

Standard Package	Package 10pcs	Small Box 80pcs Weight	Big Box 320pcs
End Clamp 31mm	1.21 lbs	9.68 lbs	38.72 lbs
End Clamp 38mm	1.32 lbs	10.18 lbs	40.12 lbs
End Clamp 40mm	1.39 lbs	11.12 lbs	44.48 lbs
End Clamp 45mm	1.43 lbs	11.44 lbs	45.76 lbs
End Clapm 50mm	1.5 lbs	12.0 lbs	48.0 lbs
Channel Strut	0.64 lbs	5.12 lbs	20.48 lbs

Product Line - End Clamp

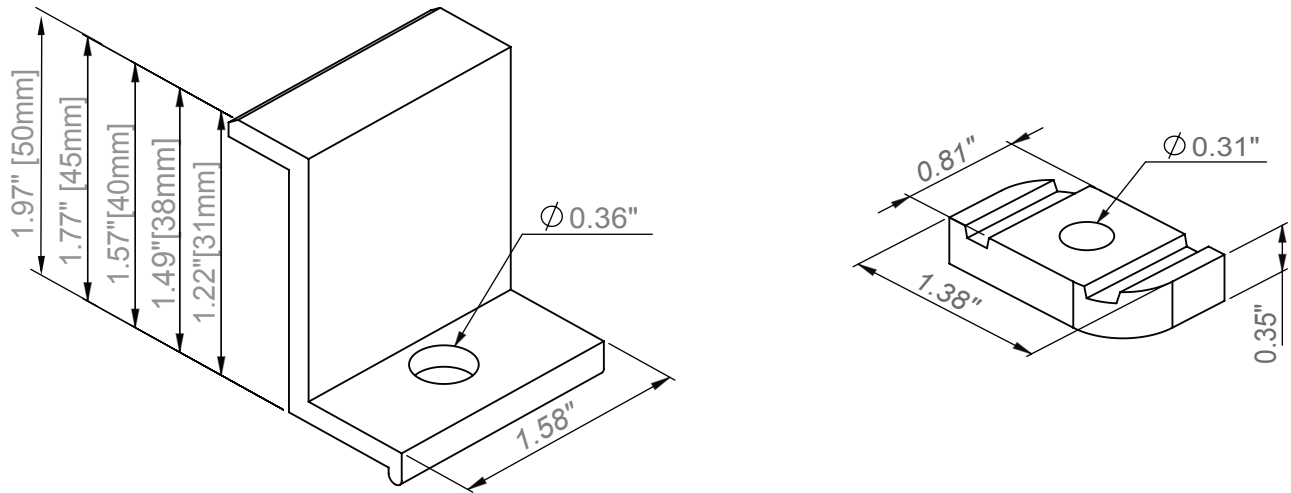
Item #	Product Name	Barcode
DR-CEC-31	DR End Clamp - Clear - 31mm	
DR-CEC-38	DR End Clamp - Clear - 38mm	
DR-CEC-40	DR End Clamp - Clear - 40mm	
DR-CEC-45	DR End Clamp - Clear - 45mm	
DR-CEC-50	DR End Clamp - Clear - 50mm	
DR-BEC-31	DR End Clamp - Black - 31mm	
DR-BEC-38	DR End Clamp - Black - 38mm	
DR-BEC-40	DR End Clamp - Black - 40mm	
DR-BEC-45	DR End Clamp - Black - 45mm	
DR-BEC-50	DR End Clamp - Black - 50mm	

Product Line - Channel Strut

Item #	Product Name	Barcode
DR-CCS-01	DR Channel Strut - Clear	
DR-BCS-01	DR Channel Strut - Black	



END CLAMP & CHANNEL STRUT

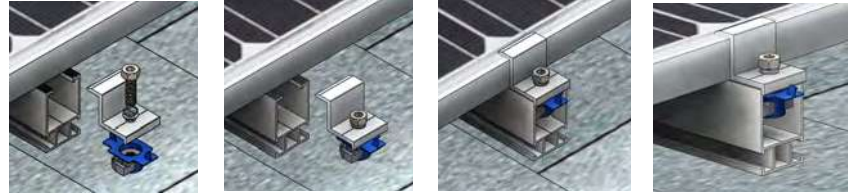


Installation Guide

For detailed instructions please refer to the Dual Rack installation guide

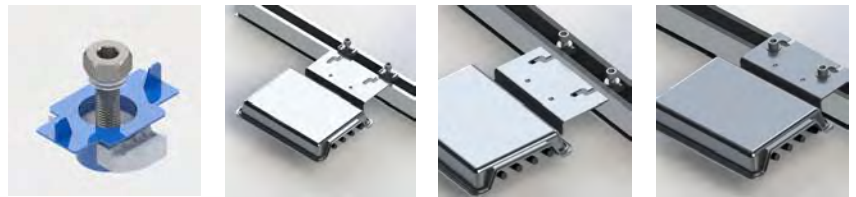
End Clamp

1. Insert the 3/8" allen bolt through the end clamp and screw the bottom to the channel strut.
2. Lower or slide the channel strut through the rail gap.
3. Screw in the 3/8" bolt and the channel strut will align itself with the rail grooves.



Channel Strut w/ Micro Inverter

1. Insert the 3/8" allen bolt through the washer and screw the bottom to the channel strut.
2. Lower or slide the channel strut through the rail gap.
3. Place the micro inverter between the rail and washer.
4. Screw in the 3/8" bolt and the channel strut will align itself with the rail grooves.



Contact Info



Dual Rack Inc.
2290 Agate ct. Unit A-B, Simi Valley, CA, 93065
www.DualRack.net
Email: info@DualRack.net
Phone: +1 (805) 254 - 2250