



LITE RAIL

Dual Rack Lite Rails are custom designed for solar PV arrays on all residential and commercial projects. They are engineered for strength and durability and tested for spans of up to eight feet. Installers prefer DualRack rails because they are strong, reliable, time-saving, and available at the best price in the marketplace.

ADVANTAGES

Advanced Dual Rack design - PE Certified in 16 states - No special training required - Save time and money on installations - Less Parts means less labor time - Two installation methods - 3 sizes available: 12', 14' & 17' in silver & black - 10 year limited warranty - Conforms to UL STD 2703 and Class A Fire Rated.

Ordering Specifics

Standard Pack	6 pcs
Dimension	144"/ 168"/ 204"
Weight	0.68 lbs/ft

Rail Span Chart (ft¹)

EXP	Wind Speed (Mph)	Zone 1					
		Snow Load (psf)					
		0.0	10.0	20.0	30.0	40.0	50.0
B	110	6.5	6.0	5.5	5.0	4.5	4.0
	120	6.5	6.0	5.5	5.0	4.5	4.0
	130	6.5	6.0	5.5	5.0	4.5	4.0
	140	6.0	6.0	5.0	5.0	4.5	4.0
	150	6.0	6.0	5.0	5.0	4.5	4.0
	160	5.5	5.5	5.0	5.0	4.5	4.0
	170	5.5	5.5	5.0	4.5	4.5	4.0
	180	5.0	5.0	5.0	4.5	4.5	4.0
C	110	6.5	6.0	5.5	5.0	4.5	4.0
	120	6.0	6.0	5.5	5.0	4.5	4.0
	130	5.5	5.5	5.5	5.0	4.5	4.0
	140	5.5	5.5	5.5	5.0	4.5	4.0
	150	5.0	5.0	5.0	4.5	4.5	4.0
	160	5.0	5.0	5.0	4.5	4.0	4.0
	170	4.5	4.5	4.5	4.5	4.0	4.0
	180	4.5	4.5	4.5	4.5	4.0	4.0

- A. The table above only includes DualRack rail capacity. It does not include roof attachment or roof load carrying capacity.
 - B. Wind risk category II per ASCE 7-10.
 - C. Topographic factor: kzt is 1.0.
 - D. Maximum mean roof height is 30 ft.
 - E. Average parapet height is 0 ft.
 - F. Roof pitch is between 7 degrees and 27 degrees.
 - G. Maximum solar panel weight is 50 lbs.
 - H. Height of solar panel is between 2" and 10" from roof.
- *See Zone 2 & 3 span table calculation in Installation Manual/P.E. certification.

Product Line

Item #	Product Name
LT-144-C	Lite Rail 144" - Clear
LT-168-C	Lite Rail 168" - Clear
LT-204-C	Lite Rail 204" - Clear
LT-144-B	Lite Rail 144" - Black
LT-168-B	Lite Rail 168" - Black
LT-204-B	Lite Rail 204" - Black

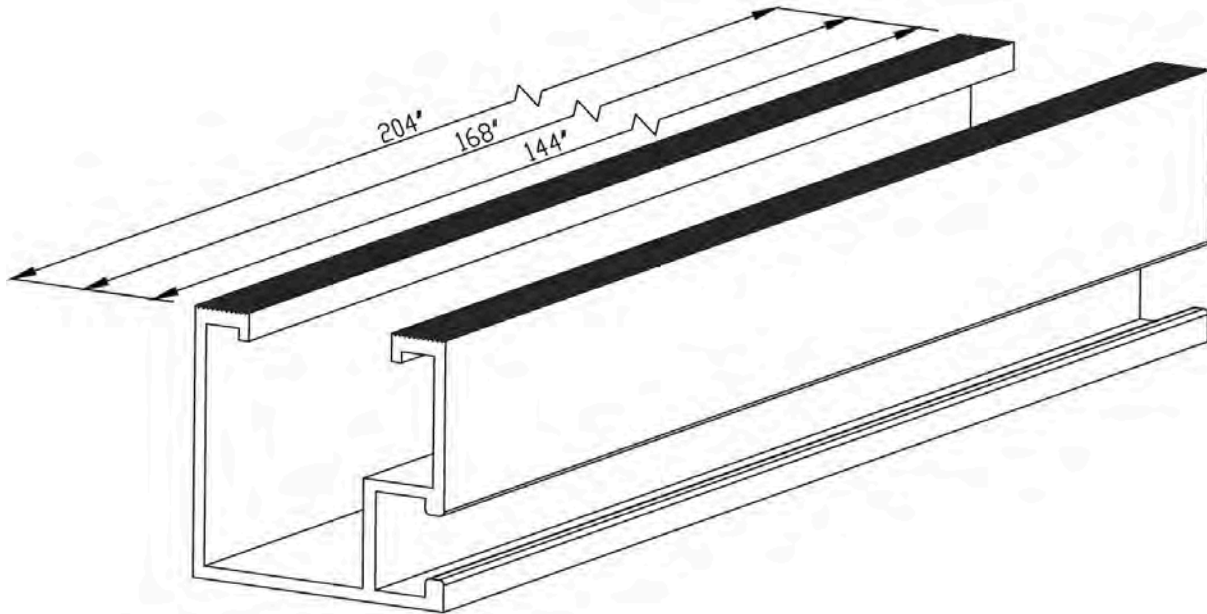


ETL CLASSIFIED



Intertek
5000799
Conforms to UL SUB 2703

Lite Rail



Installation Guide

Dual Rack is a robust, long-life photovoltaic (PV) module mounting system for both flat and pitched roofs. It consists of aluminum rails, roof attachments and all the necessary components to ensure a safe, easy, and sturdy installation. Dual Rack allows modules to be mounted in both landscape and portrait orientations.

INSTALL WITH DUAL JACK & L-FOOT



- After locating and securely installing standoff to rafter, attach L-foot with 3/8" bolt and nut to Lite Rail at desired height.
- L-foot enables height adjustment up to 1.1 inches.

INSTALL WITH Lite FLASH L-KIT



- After locating and securely installing Flash L-Kit to rafter attach 3/8" bolt and nut to Lite Rail at desired height.

Contact Info



Dual Rack Inc.
2290 Agate ct. Unit A-B, Simi Valley, CA, 93065
www.DualRack.net
Email: info@DualRack.net
Phone: +1 (805) 254 - 2250