



S-TILE ROOF HOOK - ADJUSTABLE

The Dual Rack Adjustable S-Tile Roof Hook offers solar mounting flexibility for all types of Spanish Tile roofing. Made from stainless steel, it is compatible with the S-tile roof hook flashing to prevent water intrusion. The adjustable upper arm enables varied heights to fit different sizes of Spanish tile, thus offering adaptability for each install.

ADVANTAGES

- Adjustable height to fit most sizes of Spanish tile.
- Cost-effective and faster installation saves on labor.
- Made with stainless steel for extra strength.
- No need to drill holes in tile and no visible flashing.
- Compatible with DR S-Tile Flashing.
- Works with most racking systems.
- 100% IBC compliant.
- Class A Fire Rated and conforms to UL STD 2703.

Component List

Material	QTY
Stainless steel base plate (7x2 inches)	01
Stainless steel upper arm (5 inches)	01
SS M10 Square Head Bolt and Flange Nut (Set)	01
SS 5/16 x 4 lag bolts with EPDM washer	03
SS 3/8 x 1 T-bolt, washer and Flange Nut (Set)	01

Ordering Specifics

	Package	Small Box	Big Box
Standard Package	10 pcs	40 pcs	160 pcs
Dimensions	7.09" x 7.78" x 1.97"		
Weight	1 lbs 1.3 oz		

Rail Span (ft¹)

EXP	Wind Speed (Mph)	Zone 1					
		Snow Load (psf)					
		0.0	10.0	20.0	30.0	40.0	50.0
B	110	8.0	7.0	6.0	5.0	4.5	4.0
	120	8.0	7.0	6.0	5.0	4.5	4.0
	130	8.0	7.0	6.0	5.0	4.5	4.0
	140	8.0	7.0	6.0	5.0	4.5	4.0
	150	7.5	7.0	6.0	5.0	4.5	4.0
	160	7.0	7.0	6.0	5.0	4.5	4.0
	170	7.0	7.0	6.0	5.0	4.5	4.0
C	180	6.5	6.5	5.5	5.0	4.5	4.0
	110	8.0	7.0	6.0	5.0	4.5	4.0
	120	8.0	7.0	6.0	5.0	4.5	4.0
	130	7.5	7.0	6.0	5.0	4.5	4.0
	140	7.0	7.0	6.0	5.0	4.5	4.0
	150	6.5	6.5	5.5	5.0	4.5	4.0
	160	6.0	6.0	5.5	5.0	4.5	4.0
170	5.5	5.5	5.5	5.0	4.5	4.0	
180	5.5	5.5	5.5	5.0	4.5	4.0	

¹Rail spans assume 24" rafter spacing and reflect the farthest acceptable rafter distance; Parameters: Gable roof 15' high, slope ≤ 25°, 850' AMSL, Occupancy Category II (importance factor = 1.0), Terrain category B & C, partially exposed, center zone installation. *NS = Not suitable*

²Tile roof hook to be secured with two supplied 5/16" or three 3/16" x 3.5" lag screws.

*See Zone 2 & 3 span table calculation in Installation Manual/P.E. certification.

Product Line

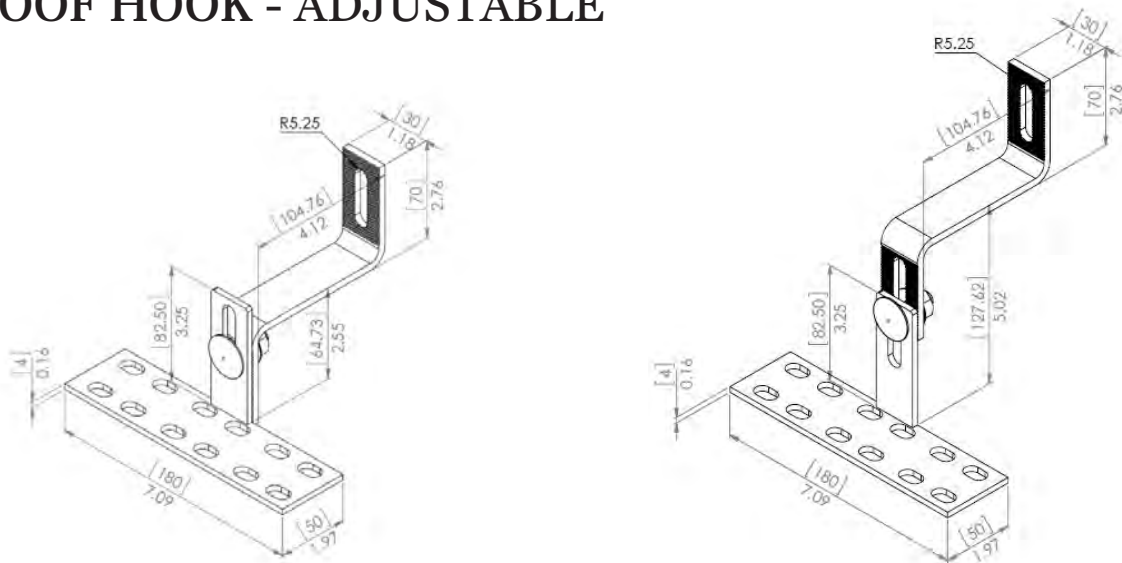
Item #	Product Name
DR-STRH-AD-01	S-Tile Roof Hook - Adjustable



ETL CLASSIFIED


 Intertek
 500799
 Conforms to UL SUB 2703

S-TILE ROOF HOOK - ADJUSTABLE



Installation Guide

For detailed instructions, please refer to the Dual Rack installation guide

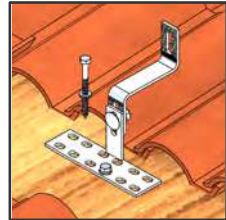
1. Remove the roof tiles at the marked position or, if possible simply push them up. When using 5/16" lag bolt drill a pilot hole 1st. Take care not to warp or damage the roof panel when tightening the nut.



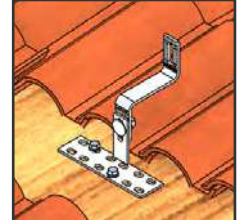
2. Position the tile hook to the side of the underlying interlocking tile's valley.



3. Insert the three (3/16") or two (5/16") bolts through the washer and S-tile hook, and apply fresh compatible sealant to the base. Tightening torque is dependent on the roof material. Adjust S-Tile hook height accordingly. Tighten the M8 flange nut.



4. Attach the tile hook to the rafter using the three (3/16") or two (5/16") lag bolts, embedded a min. of 2.5"



5. Slide the 3/8" T-bolt through the rail groove.



6. Attach the rail to the tile using 3/8" bolts, washer & nut. (Recommended: place star washer between the rail & S- tile adjustable hook).



Contact Info



Dual Rack Inc.
2290 Agate ct. Unit A-B, Simi Valley, CA, 93065
www.DualRack.net
Email: info@DualRack.net
Phone: +1 (805) 254 - 2250