

DUAL RACK® FLASH L-KIT

Our Dual Rack Flash L-Kit comes in 12.0" x 12.0" and 9.0" x 12.5" sizes and is designed to be used on composition/asphalt shingle roofs. Our roof flashing slides quickly into place with no need to modify the shingle to force a fit. Just a simple, watertight seal every time. All stainless steel hardware included for fast, single bolt installation. 10-year limited product warranty.

ADVANTAGES

- ✓ Fast, simple one bolt installation
- ✓ Stainless steel hardware (included)
- ✓ All-aluminum 9.0" x 12.5" & 12.0" x 12.0" flashing
- ✓ 10-year warranty; 25-year expected life
- ✓ Meets or exceeds roofing industry best practices
- ✓ 100% IBC compliant
- ✓ No shingle cutting

PRODUCT LINE

Item #	Product Name
DR-CFLK-01	DualRack Flash L-Kit Clear (12.0" x 12.0")
DR-CFLK-02	DualRack Flash L-Kit Clear (9.0" x 12.5")
DR-BFLK-01	DualRack Flash L-Kit Black (12.0" x 12.0")
DR-BFLK-02	DualRack Flash L-Kit Black (9.0" x 12.5")

MATERIAL SPECIFICATIONS

Material Designation	6005-T5
Density (ρ)	168.56 lb/ft ³ (2.7 g/cm ³)
Coefficient of Thermal expansion (α_t)	1.306E-05/°F(2.35E-05/°C)
Diffusivity (λ)	200.00 W/m ² ·K
Modulus of Elasticity (E)	10.152E06 Psi (7,000 kN/cm ²)
Shear Modulus (G)	3.916E06 Psi (2,700 kN/cm ²)

MECHANICAL PROPERTIES

Tensile Strength ($f_{u,k}$)	38.0 Ksi (26.0 kN/cm ²)
Tensile Yield Strength ($f_{y,k}$)	35.0 Ksi (24.0 kN/cm ²)
Profile Wall Thickness	($t \leq 0.39$ in/10 mm)

COMPONENT LIST

MATERIAL	QTY
Aluminum Flashing	01
Heavy Duty L Base	01
3/8" x 1.5" S.S Hex Bolt	01
3/8" S.S Washer	01
3/8" Flange Nut	01
5/16"x4" S.S Lag Bolt	01
EPDM Washer	01

WARRANTY

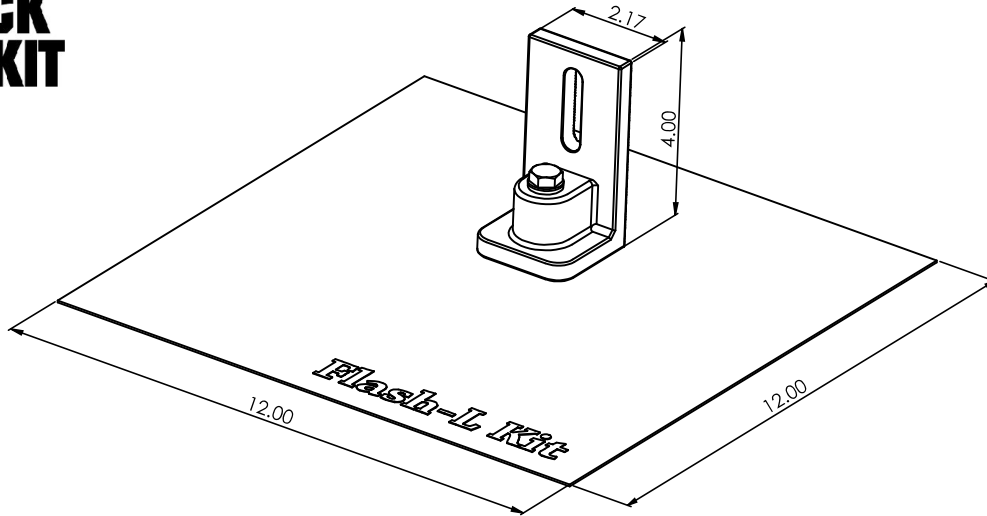
10 Year limited warranty

ORDERING SPECIFICS

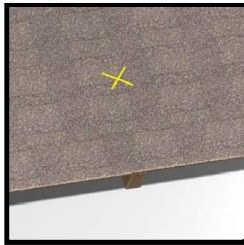
Product	DR-CFLK-01 / DR-BFLK-01	DR-CFLK-02 / DR-BFLK-02
Net Weight	0.98 lbs / set	1.15 lbs / set
Standard Pack	5 set / box	5 set / box
Standard Pack Dimension	14.0" (L) x 13.0" (W) x 3.5" (H)	14.0" (L) x 13.0" (W) x 3.5" (H)
Standard Pack Weight	5.45 lbs / box	6.25 lbs / box
Big Pack	4 small box / big pack (20 set / box)	4 small box / big pack (20 set / box)
Big Pack Dimension	14.0" (L) x 13.0" (W) x 14.0" (H)	14.0" (L) x 13.0" (W) x 14.0" (H)
Big Pack Weight	22.5 lbs / box	25.5 lbs / box

DUAL RACK FLASH L-KIT

PART NO. - DR-CFLK-01
DR-BFLK-01



INSTALLATION GUIDE



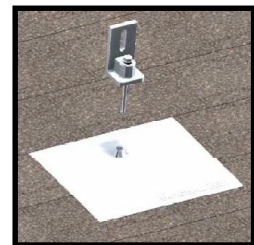
1. Locate, choose, and mark centers of rafters to be mounted. Select the courses of shingles where mounts will be placed.



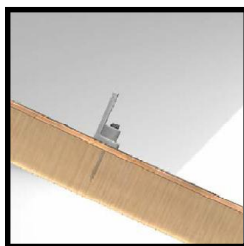
2. Gently break seal between shingles and remove any nails. Slide mount up under shingles, with flashing lined up with rafter center. Mark center for drilling.



3. Put 5/16"x4" lag bolt through L-foot. Next slide the EPDM washer up onto the lag bolt.



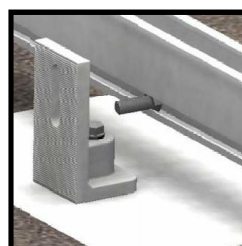
4. Secure EPDM washer onto bolt. Attach bolt and flashing to rooftop.



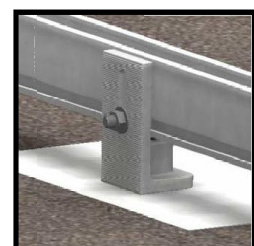
5. Using the rack kit hardware, secure the racking (L-foot) to the mount.



6. You are now ready to attach the rack. Slide the 3/8" bolt through the rail groove.



7. Attach the rail to the L-foot using 3/8" bolts and nut.



8. Take care not to warp or damage the roof panel when tightening the nut.

CONTACT INFO



Dual Rack Inc.
241 N 10th Street, Unit 4
Sacramento, CA 95811
info@DualRack.net www.DualRack.net

DISTRIBUTOR INFO